

TECHNICAL BULLETIN

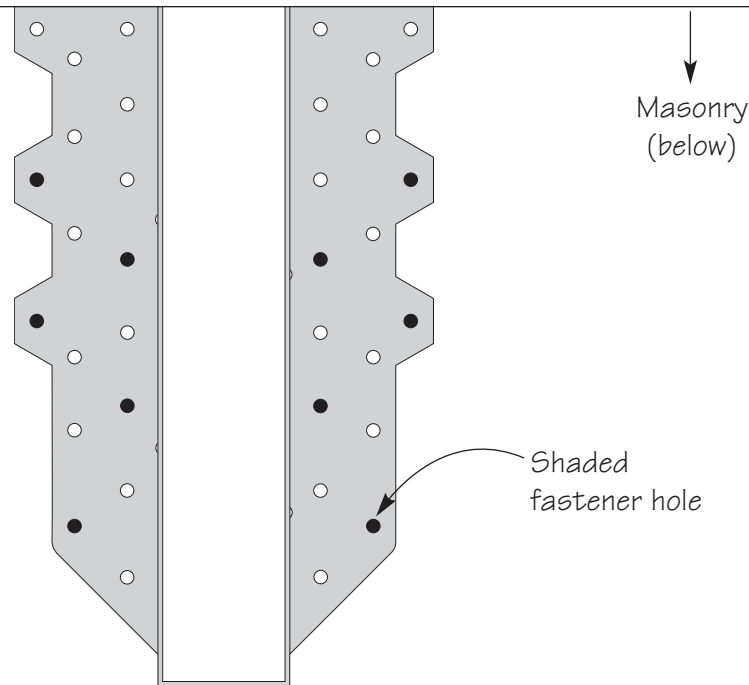
THD210 Masonry Application

Masonry Installation Option for THD210 Truss Hanger

USP's *THD210 Truss Hanger* can be used to connect 2x10 or 2x12 plated wood trusses, rafters, or joists to masonry wall structures. Allowable loads are based upon the proper use of fasteners installed per manufacturer's specifications:

- Masonry screw shall be 3/16" diameter.
- Minimum masonry screw embedment shall be 1 3/4".
- Install masonry screws **only** in **shaded fastener holes** as indicated on illustration to achieve listed loads.
- Hanger applications are designed to meet minimum edge distance requirements when installed flush to the top of the concrete masonry unit.

Masonry Edge Line



USP Stock No.	Ref. No.	Description	Steel Gauge	Fastener Schedule ²		Allowable Loads (Lbs.) ^{1,3}			
				Joist Nails ⁴	Masonry Screws	Uplift			
						100%	125%	133%	160%
THD210	-- --	2 x 10-12 Truss Hanger	16	(20) 10d x 1-1/2	(10) 3/16	2295	2295	2295	2295

1) Allowable loads assume use of Powers® Fasteners 3/16" Tapper™ minimum embedment of 1-3/4".
 2) Fasteners to be installed per manufacturer's specifications.
 3) Allowable loads assume specified holes to be filled.
 4) 10d x 1-1/2 nails are 9 gauge (0.148" diameter) by 1-1/2" long.