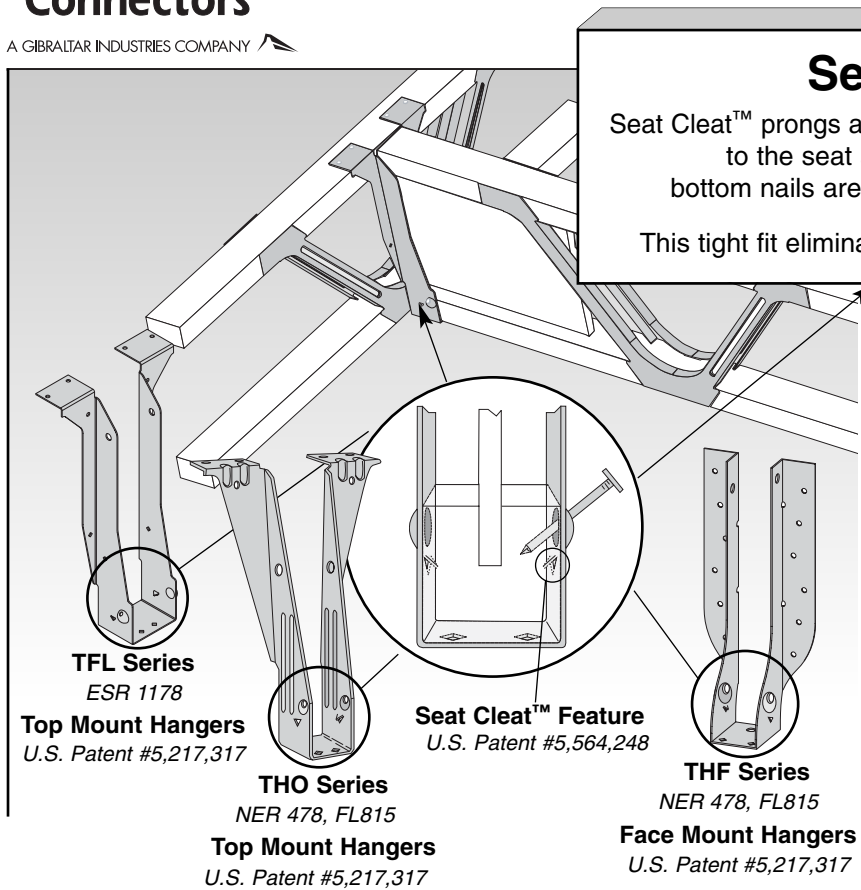
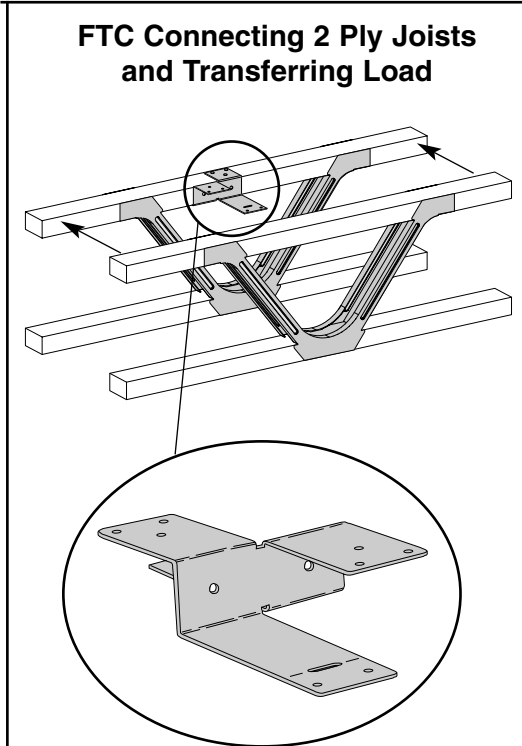


TECHNICAL BULLETIN

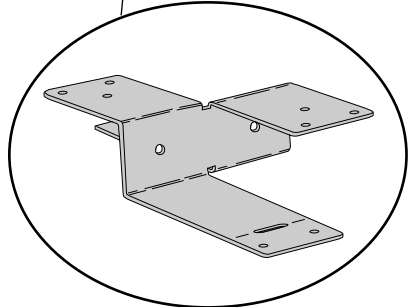
Hangers For Space Joist® TE



Seat Cleat™
Seat Cleat™ prongs automatically lock Space Joist® TE to the seat and hold the joist while bottom nails are driven into dimpled guides. This tight fit eliminates joist movement in hanger.



FTC Connecting 2 Ply Joists and Transferring Load



FTC32 or FTC1
NER 564, FL817
U.S. Patent #5,653,079

Joist Size	USP Stock No.	Steel Gauge	Dimensions			Fastener Schedule ^{1,2}		S-P-F Loads	
			W	H	D	Header	Joist	Floor Load 100%	Cantilever Uplift
2-1/2 x 9-1/4	TFL25925	18	2-1/2	9-1/4	2	(6) 10d	(2) 10d x 1-1/2	1205	155
2-1/2 x 11-1/4	TFL25112	18	2-1/2	11-1/4	2	(6) 10d	(2) 10d x 1-1/2	1205	155
2-1/2 x 14	TFL2514	18	2-1/2	14	2	(6) 10d	(2) 10d x 1-1/2	1205	155
2-1/2 x 16	TFL2516	18	2-1/2	16	2	(6) 10d	(2) 10d x 1-1/2	1205	155
2-1/2 x 9-1/4	THF25925	18	2-1/2	9-1/8	2-1/2	(12) 10d	(2) 10d x 1-1/2	1175	155
2-1/2 x 11-1/4	THF25112	18	2-1/2	11-1/8	2-1/2	(14) 10d	(2) 10d x 1-1/2	1370	155
2-1/2 x 14	THF25140	16	2-1/2	13-7/16	2-1/2	(18) 10d	(2) 10d x 1-1/2	1800	155
2-1/2 x 16	THF25160	16	2-1/2	15-1/2	2-1/2	(22) 10d	(2) 10d x 1-1/2	2200	155
3-1/2 x 9-1/4	THO35925	16	3-9/16	9-1/4	2-3/8	(10) 10d	(2) 10d x 1-1/2	2050	155
3-1/2 x 11-1/4	THO35112	16	3-9/16	11-1/4	2-3/8	(10) 10d	(2) 10d x 1-1/2	2050	155
3-1/2 x 14	THO35140	18	3-9/16	14	2-3/8	(12) 10d	(2) 10d x 1-1/2	2350	155
3-1/2 x 16	THO35160	18	3-9/16	16	2-3/8	(12) 10d	(2) 10d x 1-1/2	2350	155
3-1/2 x 9-1/4	THF35925	18	3-1/2	8-5/8	2-1/2	(12) 10d	(2) 10d x 1-1/2	1175	155
3-1/2 x 11-1/4	THF35112	18	3-1/2	10-5/8	2-1/2	(16) 10d	(2) 10d x 1-1/2	1570	155
3-1/2 x 14	THF35140	16	3-1/2	12-15/16	2-1/2	(20) 10d	(2) 10d x 1-1/2	2000	155
3-1/2 x 16	THF35157	16	3-1/2	15	2-1/2	(22) 10d	(2) 10d x 1-1/2	2200	155

Flange Size	USP Stock No.	Steel Gauge	Fastener Schedule ^{1,2}	Maximum Transfer Load S-P-F
3 x 2	FTC32	18	(10) 10d x 1-1/2	590
4 x 2	FTC1	18	(10) 10d	750

- 1) 10d x 1-1/2" nails are 9 gauge (0.148" diameter) by 1-1/2" long.
- 2) Minimum nail penetration shall be 1-1/2" for 10d nails.
 - Transfer loads are for 100% floor load, and shall not be increased for short term load duration.
 - Truss designer shall determine the number of clips for concentrated loads and the spacing for uniform loads.
 - Floor Truss Clips shall be symmetrically located, in pairs, near concentrated loads.

1) 10d x 1-1/2" nails are 9 gauge (0.148" diameter) by 1-1/2" long.
 2) Minimum nail penetration shall be 1-1/2" for 10d nails.
 • For 2 Ply, 2-1/2" joists, use THF stock number with a -2 suffix. Ex: THF25112-2.
 • For 2 Ply, 3-1/2" joists, use MSH422-2 strap hanger.
 • Consult USP Full Line catalog for alternate installations.

<p>Livermore, CA Office 2150 Kitty Hawk Road Livermore, CA 94551-9522 Phone: 1-800-227-0470 Fax: 1-925-373-9213</p>	<p>Montgomery, MN Corporate Office 703 Rogers Drive Montgomery, MN 56069-1324 Phone: 1-800-328-5934 Fax: 1-507-364-8762</p>	<p>Largo, FL Office 11910 62nd Street North Largo, FL 33773-3705 Phone: 1-800-328-5934 Fax: 1-727-535-8199</p>	<p>Thornhill, Ontario Office 221 Racco Parkway Thornhill, ON L4J 8X9 Phone: 1-800-387-3589 Fax: 1-905-669-1563</p>
--	--	---	---