

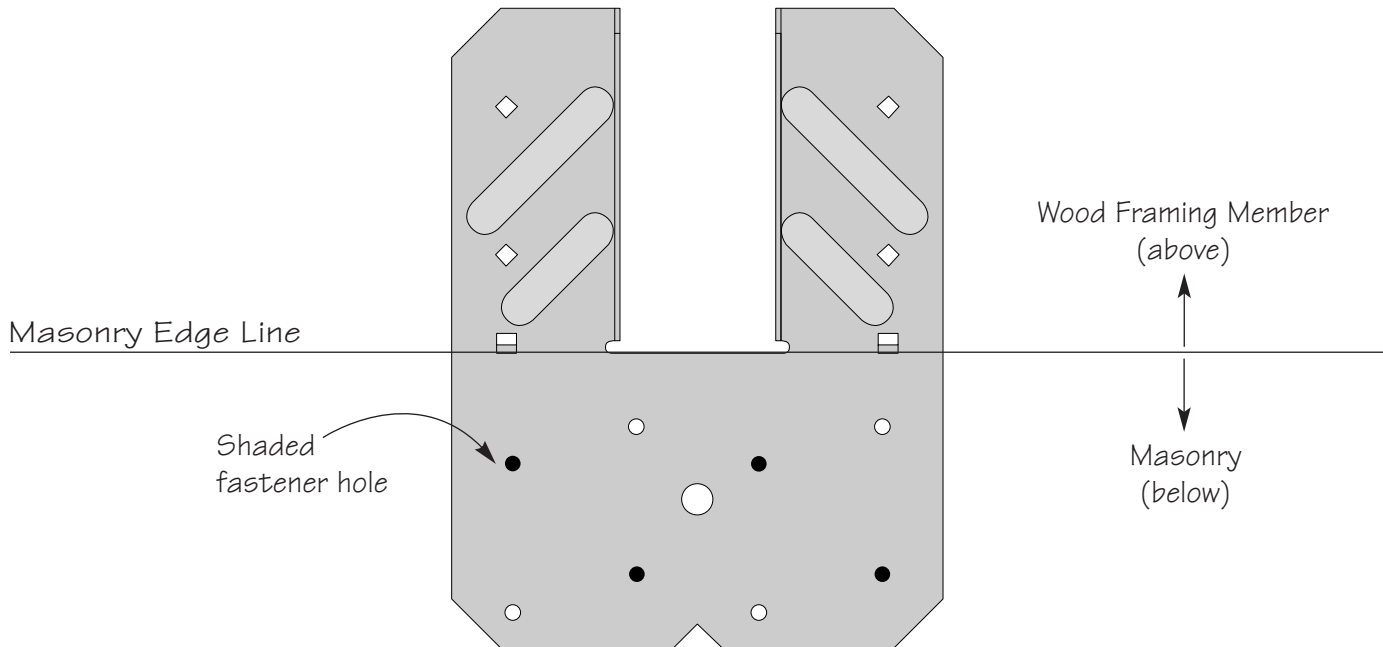
# TECHNICAL BULLETIN

## RT16 Masonry Application

### Masonry Installation Option for RT16 Hurricane/Seismic Anchor

USP's *RT16 Hurricane/Seismic Anchor* can be used to connect plated wood trusses or rafters to masonry wall structures. Allowable loads are based upon the proper use of fasteners installed per manufacturer's specifications:

- Masonry screw shall be 3/16" diameter.
- Minimum masonry screw embedment shall be 1 3/4".
- Install masonry screws **only** in **shaded fastener holes** as indicated on illustration to achieve listed loads.



USP Stock No.	Ref. No.	Description	Steel Gauge	Fastener Schedule <sup>2</sup>		Allowable Loads (Lbs.) <sup>1,3</sup>	
				Wood Nails <sup>4</sup>	Masonry Screws	Uplift	
						133%	160%
RT16	H10	Double Plate Hurricane/Seismic Anchor	18	(8) 8d x 1-1/2	(4) 3/16	700	700

1) Allowable loads assume use of Powers® Fasteners 3/16" Tapper™ minimum embedment of 1-3/4", or equal.  
 2) Fasteners to be installed per manufacturer's specifications.  
 3) Allowable loads assume specified holes to be filled.  
 4) 8d x 1-1/2 nails are 11 gauge (0.131" diameter) by 1-1/2" long.