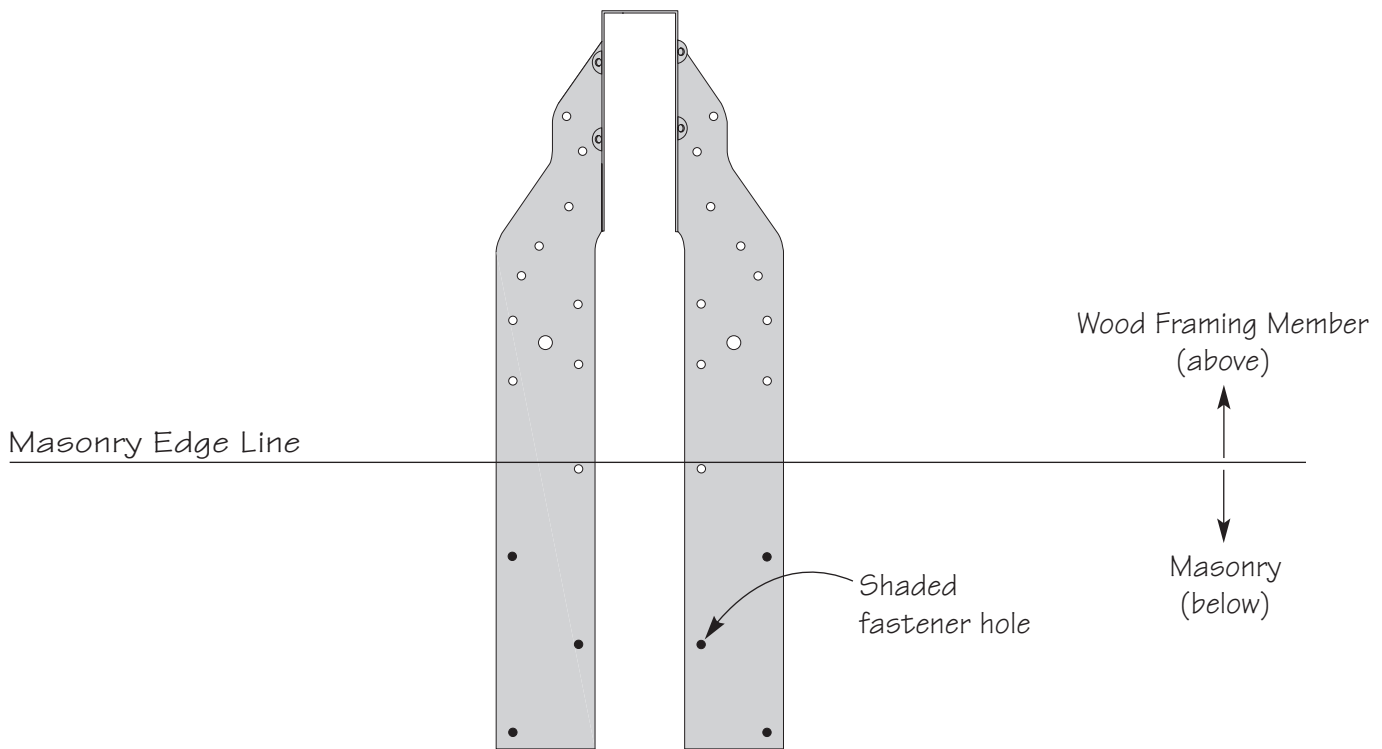


Masonry Installation Option for MSH218 Adjustable Strap Hanger

USP's *MSH218 Adjustable Strap Hanger* can be used to connect plated wood trusses or rafters to masonry wall structures. Allowable loads are based upon the proper use of fasteners installed per manufacturer's specifications:

- Masonry screw shall be 3/16" diameter.
- Minimum masonry screw embedment shall be 1 3/4".
- Install masonry screws **only** in **shaded fastener holes** as indicated on illustration to achieve listed loads.



USP Stock No.	Ref. No.	Description	Steel Gauge	Fastener Schedule ²		Allowable Loads (Lbs.) ^{1,3}	
				Wood Nails ⁴	Masonry Screws	Uplift	
						133%	160%
MSH218	THA218	1-5/8" x 16-3/4" Adjustable Strap Hanger	18	(4) 10d x 1-1/2"	(6) 3/16"	1840	1840

1) Allowable loads assume use of Powers® Fasteners 3/16" Tapper™ minimum embedment of 1-3/4".
 2) Fasteners to be installed per manufacturer's specifications.
 3) Allowable loads assume specified holes to be filled.
 4) 10d x 1-1/2 nails are 9 gauge (0.148" diameter) by 1-1/2" long.
 Maximum heel height shall be 10-1/8".