

# COLD FORMED STEEL HOLDDOWNS

**LTS20B** is a light capacity tension tie strap with a 1/4" load transfer plate.

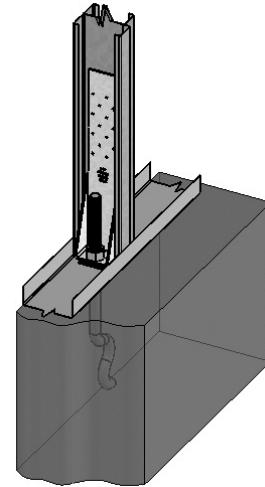
**HTT14S** is a medium capacity single-piece, 3-ply base, formed tension tie.

The **LTS20B** and **HTT14S** tension ties are designed for both new construction and retrofit applications for concrete-to-steel connections and do not require an additional washer.

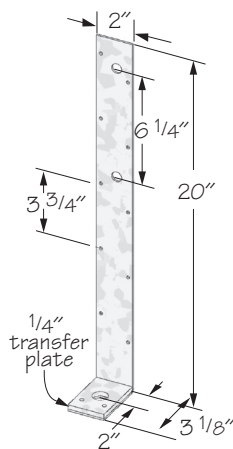
**Material:** See chart  
**Finish:** G90 galvanizing  
**Codes:** Submitted to ICC-ES

**Installation:**

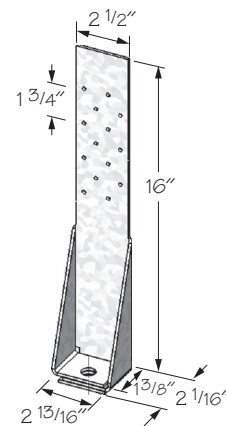
- Use all specified fasteners.
- Attach the strap portion of the connector to the steel stud. Secure the base to the foundation or wall with specified anchor bolt. A design professional shall specify the type, length, and embedment of the anchor bolt. No washers are required.



Typical **HTT14S** installation



**LTS20B**



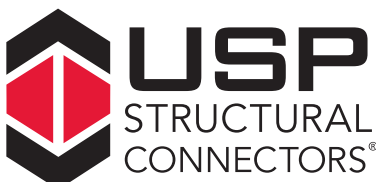
**HTT14S**

USP Stock No.	Ref. No.	Steel Gauge		Dimensions				Fastener Schedule		Anchor End Distance (inches)	Allowable Tensile Loads (Lbs.) <sup>1,2,3,4</sup>						Ctn Qty
		Strap	Base	W	L	D	CL	To Sill Plate Anchor Bolts	To Stud Screws		.33 mil (20ga)		.43 mil (18ga)		.54 mil (16ga)		
											100%	133%	100%	133%	100%	133%	
LTS20B	S/LTT20	12	1/4	2	20	3-1/8	2	(1) 1/2	(5) #10	2-1/2	885	1140	1090	1090	1210	1210	10
HTT14S	S/HTT14	10	---	2-13/16	16	2-1/16	1-3/8	(1) 5/8	(14) #10	8-11/16	2480	3290	3680	4425	4825	4825	100

1) The allowable loads at 133% can only be used with codes that permit the use of alternate basic load combinations and when the referenced material standard permits it.  
 2) The designer must specify anchor bolt type, length, and embedment.  
 3) Designer shall specify anchor embedment and configuration.  
 4) Designer shall verify the adequacy of the steel studs to transfer the required load.

Consult USP for pricing.

TDS product on back →



USP supplies quality products to build Stronger Safer Structures

**Customer Service:**  
 Burnsville, MN  
 Phone: 1-800-328-5934  
 Fax: 1-507-364-8762

**Manufacturing:**  
 Montgomery, MN • Livermore, CA  
 Largo, FL • Thornhill, Ontario

**Warehouses:**  
 Houston, TX  
 Lumberton, NJ

[www.USPconnectors.com](http://www.USPconnectors.com)

Information valid until January 31, 2011.

A GIBRALTAR INDUSTRIES COMPANY

USP1085-101

SALES SHEET

# COLD FORMED STEEL HOLDDOWNS CONT.

The **TD8S**, **TD10S** and **TD15S** are heavy capacity holddown connectors with a 3/8" base on the TD8S and TD10S models and a 1/2" base on the TD15S model.

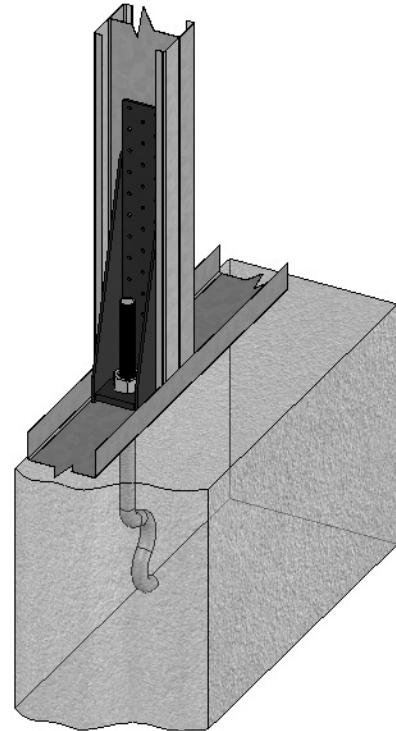
**Material:** See chart

**Finish:** USP primer

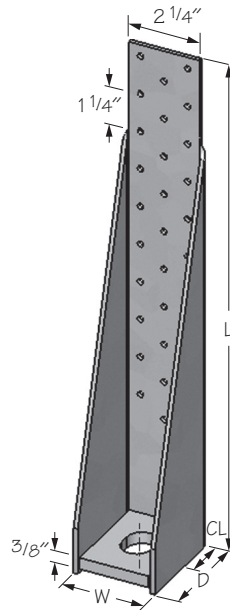
**Codes:** Submitted to ICC-ES

**Installation:**

- Use all specified fasteners.
- The designer must specify anchor and bolt type, length, and embedment.



**Typical TD10S installation**



**TD10S**

USP Stock No.	Ref. No.	Steel Gauge		Dimensions			Fastener Schedule		Allowable Tension Loads (Lbs.) <sup>1,2,3,4</sup>						Ctn Qty
		Strap	Base	W	L	CL	To Sill Plate	To Stud	2-33 mil (2-20ga) Back-to-Back Studs		2-43 mil (2-18ga) Back-to-Back Studs		2-54 mil (2-16ga) Back-to-Back Studs		
							Anchor Bolts	Screws	100%	133%	100%	133%	100%	133%	
TD8S	S/HD8S	10	3/8	2-1/2	13-7/8	1-5/8	(1) 7/8	(24) #10	4655	6210	8110	9665	10310	10310	1
TD10S	S/HD10S	10	3/8	2-1/2	16-1/8	1-5/8	(1) 7/8	(30) #10	5820	7760	10140	11525	12910	12910	1
TD15S	S/HD15S	7	1/2	2-5/8	21-1/2	1-11/16	(1) 1	(48) #10	9310	12270	14345	14345	16585	16585	1

- 1) Back-to-back stud members are required unless otherwise noted.
- 2) The allowable loads at 133% can only be used with codes that permit the use of alternate basic load combinations and when the referenced materials standard permits it.
- 3) Designer shall specify anchor embedment and configuration.
- 4) Designer shall verify the adequacy of the steel studs to transfer the required load.

Consult USP for pricing.

SALES SHEET