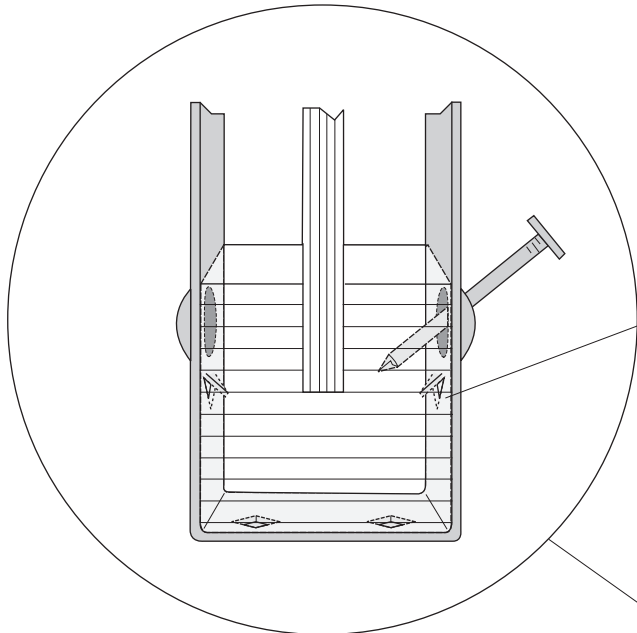


# SEAT CLEAT™

## 'No Squeak' I-Joist Hangers

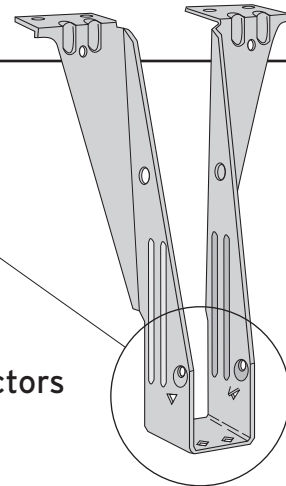
Positive Seating for I-Joist Bottom Flanges



The *Seat Cleat*™ automatically locks I-Joists to the bottom of the hanger while you drive nails into dimpled guides.

This tight fit eliminates joist movement in the hanger.

U.S. Patent #5,564,248



### Simple and easy to use

- No tabs to bend
- No awkward nailing into top of I-Joist bottom flanges
- No damage to I-Joist as possible with other brand connectors

### *Seat Cleat*™ Features

- I-Joist seats firmly with the tap of a hammer
- Holds I-Joist while you nail, prevents spring back during nailing
- Works with I-Joists and solid members

(For a complete list of USP products featuring the *Seat Cleat*™, see reverse side of this flyer) →



USP supplies quality products to build Stronger Safer Structures

Customer Service:  
Burnsville, MN  
Phone: 1-800-328-5934/  
1-952-898-8772  
Fax: 1-952-898-8605

Manufacturing:  
Montgomery, MN  
Livermore, CA  
Largo, FL  
Thornhill, Ontario

Warehouses:  
Corona, CA  
Humble, TX  
Lumberton, NJ

[www.USPconnectors.com](http://www.USPconnectors.com)

A Subsidiary of MiTek, A Berkshire Hathaway Company

USP357-081

# SEAT CLEAT™

## AVAILABLE ON THE FOLLOWING MODELS

**THF** Face Mount I-Joist Hangers . . . . . All models except **THF17165** and **doubles**  
**TFL** Top Mount I-Joist Hangers. . . . . See below  
**THO** Top Mount I-Joist Hangers . . . . . See below

**Joist Size** **Model #**

1-1/2" x 9-1/2" .....	THO15950
1-1/2" x 11-7/8" .....	THO15118
1-1/2" x 14" .....	THO15140
1-3/4" x 9-1/2" .....	THO17950
1-3/4" x 11-7/8" .....	THO17118
1-3/4" x 14" .....	TFL1714, THO17140
1-3/4" x 14" .....	TFL1716
2" - 2 1/8" x 9-1/2" .....	TFL2095, THO20950
2" - 2 1/8" x 11-7/8" .....	TFL20118, THO20118
2" - 2 1/8" x 14" .....	TFL2014, THO20140
2" - 2 1/8" x 16" .....	TFL2016, THO20160
2-5/16" x 9-1/2" .....	TFL2395
2-5/16" x 10" .....	THO23100
2-5/16" x 11-7/8" .....	TFL23118, THO23118
2-5/16" x 14" .....	TFL2314, THO23140
2-5/16" x 16" .....	TFL2316
2-5/16" x 18" .....	THO23180
2-5/16" x 20" .....	THO23200
2-1/2" x 9-3/8" .....	TFL25938
2-1/2" x 9-1/4" .....	TFL25925
2-1/2" x 9-1/2" .....	TFL2595, THO25950
2-1/2" x 11" .....	THO25110
2-1/2" x 11-1/4" .....	TFL25112
2-1/2" x 11-1/2" .....	TFL25115
2-1/2" x 11-7/8" .....	TFL25118, THO25118
2-1/2" x 12" .....	TFL2512
2-1/2" x 12" .....	THO25120
2-1/2" x 12-1/2" .....	THO25125
2-1/2" x 13" .....	TFL2513
2-1/2" x 14" .....	TFL2514, THO25140
2-1/2" x 15-3/4" .....	THO25157
2-1/2" x 16" .....	TFL2516
2-1/2" x 18" .....	THO25180
2-1/2" x 20" .....	THO25200
3-1/2" x 9-1/4" .....	THO35925
3-1/2" x 9-3/8" .....	THO35938
3-1/2" x 9-1/2" .....	THO35950
3-1/2" x 11-1/4" .....	THO35112
3-1/2" x 11-7/8" .....	THO35118
3-1/2" x 12" .....	THO35120
3-1/2" x 12-1/2" .....	THO35125
3-1/2" x 14" .....	THO35140
3-1/2" x 16" .....	THO35160
3-1/2" x 18" .....	THO35180
3-1/2" x 20" .....	THO35200

TECH BULLETIN