



# GTQ SERIES

## GIRDER TRUSS HANGERS



**Features:**

- » Only three hangers needed to cover 2, 3, and 4 ply connections. Reduced supplier SKU inventory.
- » Versatile. Can be installed on a variety of vertical sizes and bottom chord depths.
- » Increased uplift capacity when compared to GT bolted hangers.
- » One size USP WS3 Wood Screws, 1/4" dia. x 3", are supplied with all GTQ hanger sizes for maximum versatility.

**USP supplies quality products to build Stronger Safer Structures**

**Customer Service:**  
Burnsville, MN  
Phone: 1-800-328-5934  
1-952-898-8772  
Fax: 1-952-898-8605

**Manufacturing:**  
Montgomery, MN  
Livermore, CA  
Largo, FL  
Thornhill, Ontario

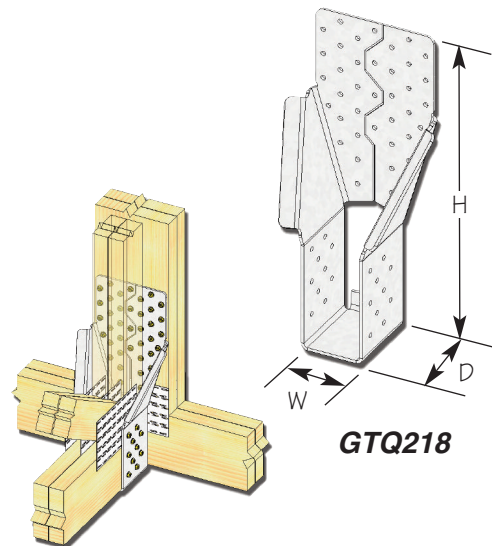
**Warehouses:**  
Humble, TX  
Lumberton, NJ

The new GTQ hangers fasten multi-ply girder trusses together with USP's WS3 Wood Screws offering high load capacities. Design features minimum and maximum fastening installation options to accommodate various vertical member sizes.

**Materials:** 7 gauge  
**Finish:** G90 galvanizing

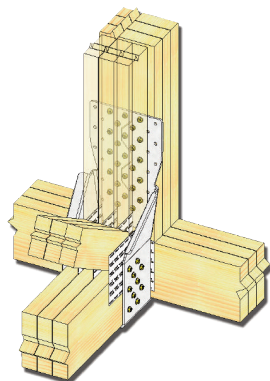
**Installation:**

- Use all specified WS3 fasteners. (supplied)
- Install centered on vertical web.
- GTQ's are designed to be installed on various vertical members. Install the appropriate number of screws to achieve desired load. Maintain a minimum 3/8" fastener edge distance as per the National Design Specification where truss connector plates are not present.



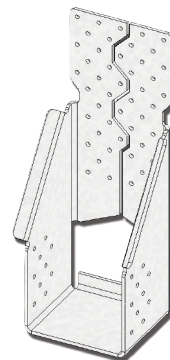
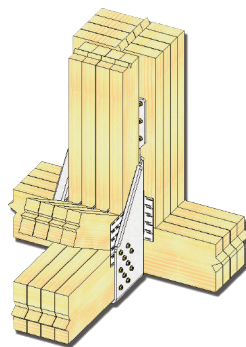
**GTQ218**

**Typical GTQ218 Maximum Fastening Installation**



**GTQ318**

**Typical GTQ318 Minimum Fastening Installation**



**GTQ420**

**Typical GTQ420 Installation**

USP Stock No.	Ref. No.	Dimensions			No. of Plys	Install Type	Min Vert Web Size	Fastener Schedule <sup>1,3,4</sup>				Allowable Loads (Lbs.)								Ctn Qty
		W	H	D				Face	Carried Member		DF-L / SP			S-P-F						
									Qty	Type	Floor	Roof	Roof / Wind	Uplift <sup>2</sup>	Floor	Roof	Roof / Wind	Uplift <sup>2</sup>		
		100%	115%	125/160%				160%	100%	115%	125/160%	160%								
GTQ218	THGQ2-SDS3, THGQH2-SDS3	3-1/4	18	4-1/2	2	Min	2x6	18	WS3	20	WS3	6965	7900	7900	4650	5850	6635	6635	3905	1
							Max	2x8	30	WS3	20	WS3	11610	13160	13160	4650	9750	11055	11055	
GTQ318	THGQ3-SDS4.5	4-7/8	18	5	3	Min	2x6	25	WS3	20	WS3	9675	11125	11180	4650	8125	9345	9390	3905	1
							Max	2x8	35	WS3	20	WS3	13545	14335	14335	4815	11380	12040	12040	
GTQ420	THGQH4-SDS6	6-1/2	20	5-3/4	4	Min	2x8	41	WS3	20	WS3	14235	14235	14235	4745	11955	11955	11955	3985	1
							Max	2x10	47	WS3	20	WS3	14090	14090	14090	4745	11835	11835	11835	

1) WS3 Wood Screws are 1/4 x 3 long and are included with GTQ hangers.  
 2) Uplift loads have been increased 60% for wind or seismic loads; no further increase shall be permitted.  
 3) WS3 screws may be installed through metal truss connector plates as approved by truss designer per ANSI/TPI 1-2007 Section 7.5.3.4 and 8.9.2.  
 4) The supporting truss plies must be fastened together to transfer loads to all plies. When attaching to a 3-ply or greater supporting truss, the WS3 Wood Screws shall not be considered to transfer the load to all plies.

Consult USP for pricing.

Information valid until September 6, 2012.