



USP
STRUCTURAL
CONNECTORS®
A MiTek® Company

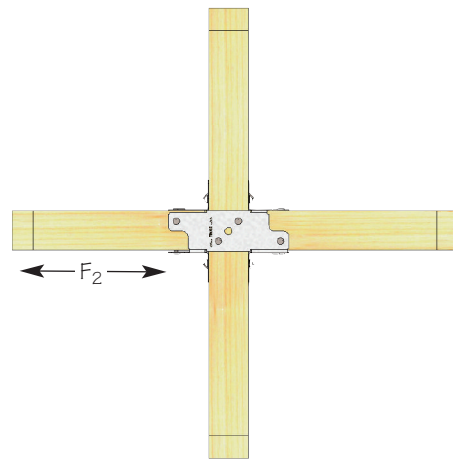
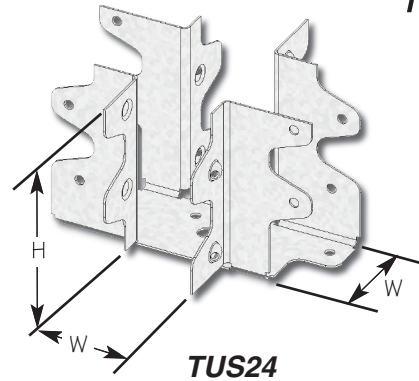
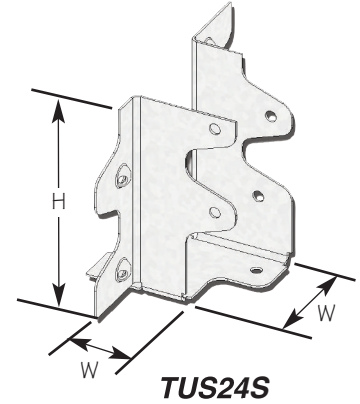
TUS SERIES

UNDERSADDLE HANGER

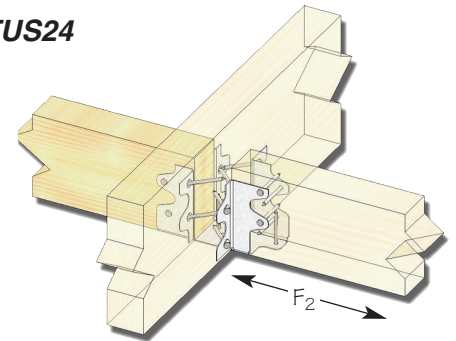
Materials: 20 gauge
Finish: G90 galvanizing
Patents: Pending

Installation:

- Use all specified fasteners.
- Attaches with standard 1-1/2" joist hanger nails that can be installed with a positive placement nail gun or be hand driven.
- Other 1-1/2" fasteners with a shear value equal or greater than a 10d nail may be used.



Bottom View



Typical TUS24 Installation

New Product

Features:

- » Eases Installation.
- » Speeds installation of bracing attached to the bottom chord of a truss.
- » One undersaddle hanger replaces two face mount joist hangers.
- » Provides a higher lateral capacity than a standard joist hanger can achieve.

USP supplies quality products to build Stronger Safer Structures

Customer Service:
Burnsville, MN
Phone: 1-800-328-5934
1-952-898-8772
Fax: 1-952-898-8605

Manufacturing:
Montgomery, MN
Livermore, CA
Largo, FL
Thornhill, Ontario

Warehouses:
Humble, TX
Lumberton, NJ

Joist Size	USP Stock No.	Ref. No.	Steel Gauge	Dimensions		Fastener Schedule ^{2,3,4}	Allowable Loads (Lbs.) ¹					Ctn Qty	
				W	H		DF-L / SP				F2		
							100%	115%	125%	Uplift ¹ 160%			160%
2 x 4 - 6 single	TUS24S	---	20	1-9/16	3	10	8d x 1-1/2	480	545	590	505	280	50
							10d x 1-1/2	565	620	620		325	
							LL915	565	620	620	505	645	
2 x 4 - 6 saddle	TUS24	---	20	1-9/16	3	20	8d x 1-1/2	480	545	590	505	645	25
							10d x 1-1/2	565	620	620			
							LL915	565	620	620			

1) Uplift loads have been increased 60% for wind or seismic loads; no further increase shall be permitted.
2) 8d x 1-1/2 nails are 11 gauge (0.131" diameter) by 1-1/2" long.
3) 10d x 1-1/2 nails are 9 gauge (0.148" diameter) by 1-1/2" long.
4) LL915 screws are #9 (0.131" diameter) x 1-1/2" long.

Consult USP for pricing.

Information valid until September 6, 2012.

USP2195-111