

SBP FIELD ALTERED FOR INSTALLATION ON SHEATHED FRAMING

USP's Supplementary Bearing Plates (SBP) are designed to accommodate installation over either a 2 x 4 or 2 x 6 top plate. For proper installation per USP's catalog, exterior wall sheathing must be put on after the SBP has been installed. Often times wall sheathing is installed prior to truss placement due to bracing concerns or in panelized construction.

When the SBP is installed after sheathing is in place, the nails into the side of the top plate cannot be installed properly and it is sometimes required that one of the side tabs is bent up (see Figure 2). **With this side tab bent up and without these nails installed, the only significant change to product performance will be the uplift and lateral resistance of the connection. The allowable bearing loads will be unaffected and are published in USP's current Full Line catalog.** The uplift and lateral values for the SBP will be changed as outlined in the table below.

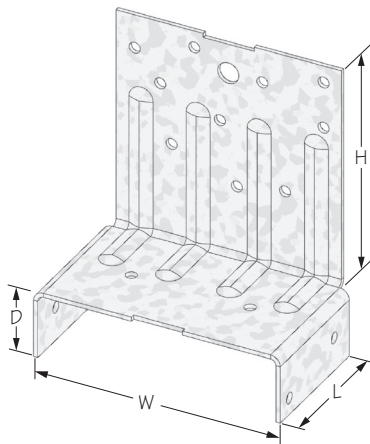


Figure 1
SBP
standard design

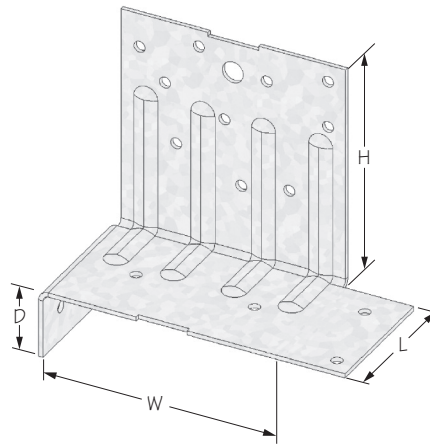
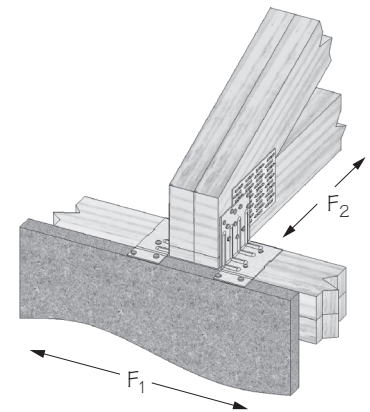


Figure 2
SBP with tab bent up



Typical SBP installation with tab bent up

USP Stock No.	Ref. No.	Steel Gauge	Dimensions				Joist Thickness	Fastener Schedule ^{1,4}				Allowable Loads (Lbs.) ^{2,3}							
			W	H	L	D		Plate		Truss		DF-L / SP			S-P-F				
								Top	Sides	Qty	Type	F1	F2	Uplift ⁵	F1	F2	Uplift ⁵		
			Qty	Type	Qty	Type		160%	160%									160%	160%
SBP4	TBE4	16	3-1/2	3-1/4	2	1	2-7/8" or less	4	10d	8	10d	20	10dx1-1/2	1390	950	740	1170	720	640
												20	10d						
SBP6	TBE6	16	5-1/2	3-1/4	2	1	2-7/8" or less	4	10d	8	10d	28	10dx1-1/2	1390	950	740	1170	720	640
												28	10d						

- 1) Fastener Schedule is for a pair of SBP devices.
- 2) Allowable loads are for a pair of SBP devices. SBP's shall be installed in pairs.
- 3) Multiple ply trusses shall be fastened together to act as a single unit.
- 4) 10d x 1-1/2 nails are 9 gauge (0.148" diameter) x 1-1/2" long.
- 5) Uplift loads have been increased 60% for wind or seismic loads; no further increase shall be permitted.



USP supplies quality products to build Stronger Safer Structures

Customer Service:
Burnsville, MN
Phone: 1-800-328-5934/
1-952-898-8772
Fax: 1-952-898-8605

Manufacturing:
Montgomery, MN
Livermore, CA
Largo, FL
Thornhill, Ontario

Warehouses:
Corona, CA
Houston, TX
Lumberton, NJ

www.USPconnectors.com

A Subsidiary of MiTek, A Berkshire Hathaway Company