

FLOOR TRUSS CLIPS - FTC1F, FTC2F

RETRO FIT DESIGN

The Floor Truss Clip efficiently transfers loads between floor truss plys. The FTC1F and FTC2F are designed for retrofit applications when trusses are already in place. The FTC1F is for single ply top or bottom chords and the FTC2F is for double ply top or bottom chord.

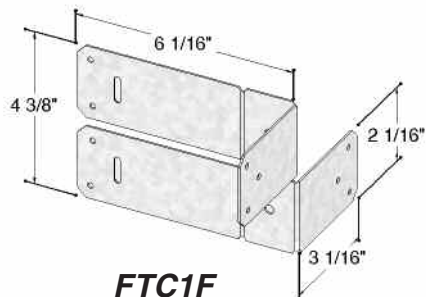
Materials: 18 gauge

Finish: G90 galvanizing

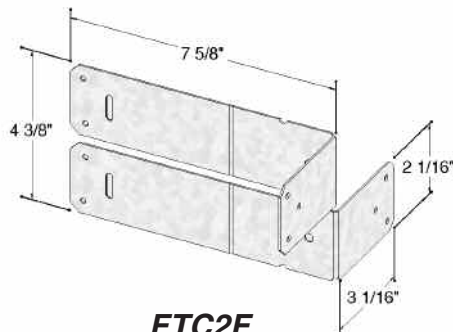
Patents: #5,653,079

Installation:

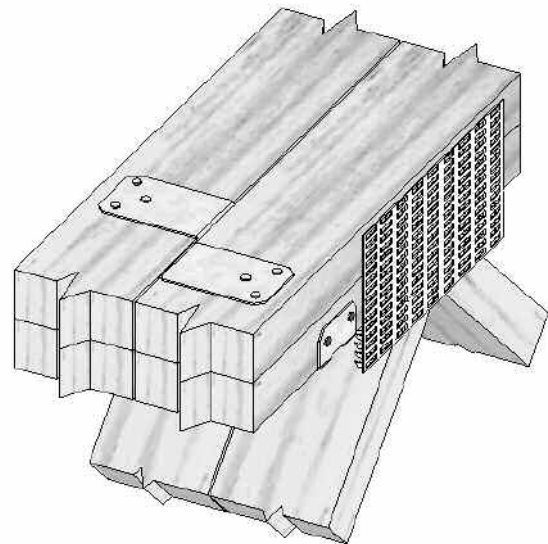
- Use all specified fasteners.
- Slide clip between trusses. Fasten top flanges with 10d nails. Bend product and install remaining 10d nails into place.
- The truss designer must determine the number of clips and spacing between clips according to concentrated or uniform loading conditions.



FTC1F



FTC2F



FTC2F
installation

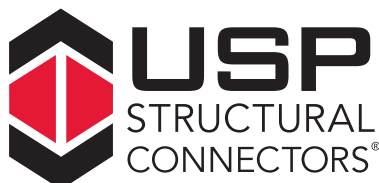
Truss Size	USP Stock No.	Ref. No.	Steel Gauge	Fastener Schedule ²	Maximum Transfer Loads ^{1,3}	
					DF-L / SP	S-P-F
4 x 2	FTC1F	--	18	(10) 10d	865	750
(2) 4 x 2	FTC2F	--	18	(10) 10d	865	750

1) Transfer loads are for 100% floor load, and shall not be increased for short term load duration.

2) Minimum nail penetration shall be 1-1/2" for 10d nails.

3) Truss designer shall determine the number of clips for concentrated loads and the spacing for uniform loads.

USP supplies quality products to build Stronger Safer Structures



Customer Service:
Burnsville, MN
Phone: 1-800-328-5934
Fax: 1-507-364-8762

Manufacturing:
Montgomery, MN • Livermore, CA
Largo, FL • North Wilkesboro, NC
Rancho Cucamonga, CA • Thornhill, Ontario

Warehouses:
Houston, TX
Lumberton, NJ

www.USPconnectors.com

Information valid until July 1, 2009.

A GIBRALTAR INDUSTRIES COMPANY 

USP1024-071