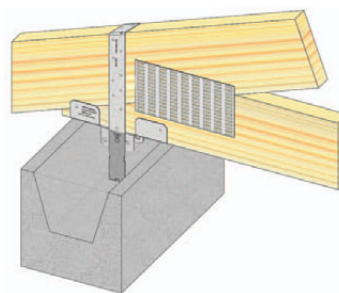


The DTC series attaches trusses to concrete or masonry walls. Innovative seat design gives added lateral resistance while still providing a moisture barrier.

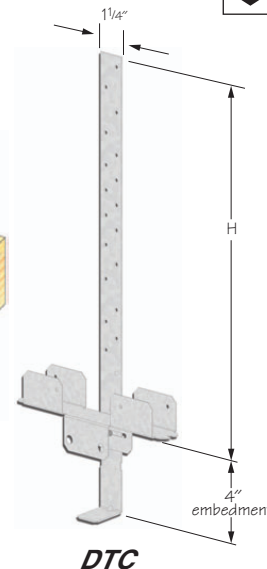
Materials: 16 gauge
Finish: G90 galvanizing
Codes: Dade County, FL 07-1003.10, FL578

Installation:

- Use all specified fasteners. See Product Notes, page 11.
- Embed 4" into concrete tie beam or masonry bond beam.
- Installations should be spaced no closer together than 8" center-to-center.



Typical **DTC** installation



DTC

Truss & Rafter

©Copyright 2011 USP Structural Connectors®

USP Stock No.	Ref. No.	Steel Gauge	Out of Concrete	Fastener Schedule ²				Allowable Loads (Lbs.) ¹								Code Ref.
				Seat Plate		Truss/Rafter		DF-L / SP (160%)				S-P-F (160%)				
				Qty	Type	Qty	Type	F1		F2	Uplift	F1		F2	Uplift	
								Toward Strap	Away from Strap			Toward Strap	Away from Strap			
DTC	HETAL12, HETAL16, HETAL20	16	16	4	10d x 1-1/2	9	10d x 1-1/2	840	1200	1290	1825	840	1200	1290	1440	F9, D8

- 1) Allowable loads have been increased 60% for wind and seismic loads; no further increase shall be permitted.
 - 2) 10d x 1-1/2 nails are 9 gauge (0.148" diameter) by 1-1/2" long.
 - 3) Grout or concrete compressive strength shall be 2500 psi or greater at 28 days.
 - 4) Allowable loads require a No. 5 rebar through the shear cones of the anchors.
- New products or updated product information are designated in **bold font**.

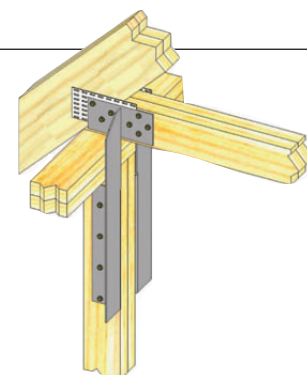
RETROFIT STRAP CONNECTOR – RUSC

The RUSC Retro Uplift Strap Connector provides a wood-to-wood uplift connection attaching trusses with a 2 x 4 bottom chord to a double stud in the wall below. WS3 Wood Screws are utilized for fast installation. The connector can be installed after roof sheathing has been installed.

Materials: 10 gauge
Finish: USP primer
Codes: FL6223

Installation:

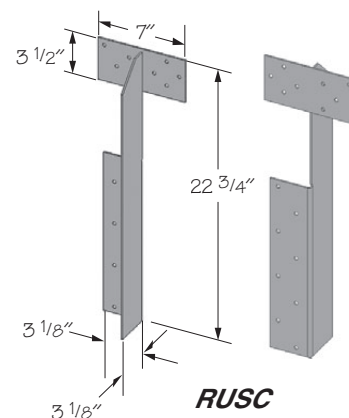
- Use all specified fasteners. See Product Notes, page 11.
- **The RUSC should be installed in pairs.**
- Install on minimum 2 ply with equal wall studs centered directly below.
- Works with 2 x 4 bottom chord member and 2 x 4 wall studs.



Typical **RUSC** installation

USP Stock No.	Ref. No.	Steel Gauge	No. of Plys ⁶	Fastener Schedule ^{4,5}		Allowable Uplift 160% ¹		Code Ref.
				Rafter/Truss	Stud	DF-L / SP	S-P-F	
				RUSC	--	10	2 Ply or greater	

- 1) Allowable loads are for a pair of RUSC devices.
- 2) Uplift loads have been increased 60% for wind or seismic loads; no further increase shall be permitted.
- 3) Designer must specify stud or post to resist published load values.
- 4) WS3 Wood Screws are 1/4" x 3" long and are included with RUSC connectors.
- 5) Fastener schedule is for two straps used together. The RUSC shall be installed in pairs with a minimum 2 ply truss and wall stud attachment.
- 6) Truss plys shall be fastened together to act as a unit.



RUSC